

# SWING KINGDOM DESIGN



Swing Kingdom

**Dealer:** Jim's Amish Structures

**Customer:**

**Build Code:** [C2](#)

**Vinyl Frame Color:** Almond

**Accent Color:** Red

**Accessory Color:** Yellow

**Shingle Color:** Tan

**Date:** 5/23/2022

**Sales Order#:**

**Delivery Method:**

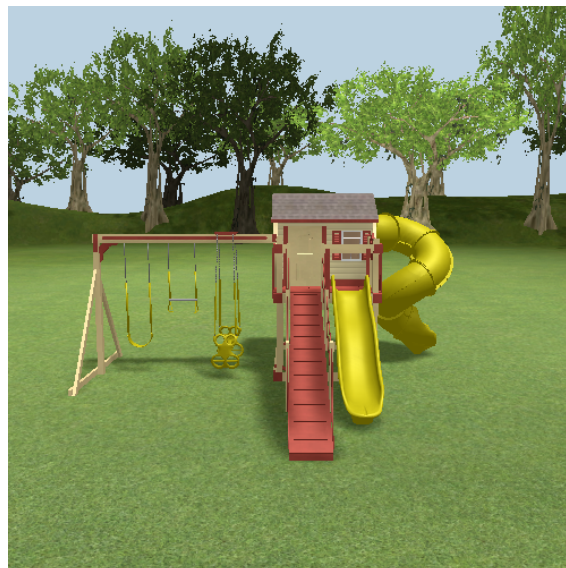
**SK D&I**

**Freight**

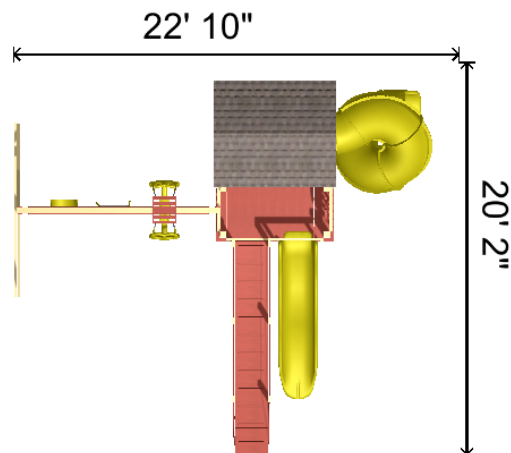
**Pickup**

**SK Drop Off**

- 1 - 6' x 8' Playhouse Tower
- 1 - Avalanche Slide 10'
- 1 - 12' Ramp with Rope
- 1 - 3 Position Single Beam 10'-6"
- 1 - 4-Point Swing Adapter
- 1 - Dual Rider
- 1 - Trapeze Bar with Rings
- 1 - Belt Swing with Soft Grip Chains
- 2 - Ground Anchor Each
- 1 - Ship's Wheel
- 1 - Window with Shutters
- 1 - Extra 7' Landing for Tower & Playhouse
- 1 - Turbo Twister Slide 7'



**Height: 10.6'**



**Notes:**