

# SWING KINGDOM DESIGN



Swing Kingdom

Dealer: Jim's Amish Structures

Customer:

Build Code: [KRC](#)

Vinyl Frame Color: White

Accent Color: Green

Accessory Color: Green

Shingle Color:

Date: 5/23/2022

Sales Order#:

Delivery Method:

SK D&I

Freight

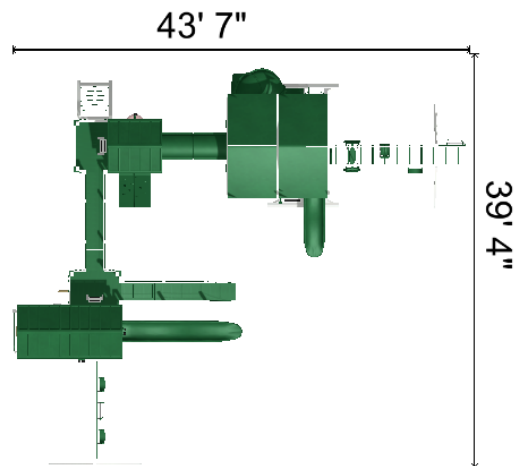
Pickup

SK Drop Off

- 1 - 5' x 5' Mountain Climber
- 1 - Avalanche Slide 10'
- 1 - MC Hand Rail
- 1 - 5' MC Ladder
- 1 - Tower Mounting Ladder
- 1 - 4 Position Climber 14'
- 1 - Dual Rider
- 1 - Baby Swing
- 1 - Belt Swing with Soft Grip Chains
- 1 - Trapeze Bar with Rings
- 4 - Ground Anchor Each
- 1 - Rock Wall for MC Leg
- 1 - Cargo Net for MC Leg
- 1 - Tower Mega 7' Deck for MC
- 1 - 6'-6" Tower Tunnel
- 2 - 5' x 9' Tower
- 1 - Telescope
- 1 - Bubble Panel
- 1 - 3' x 7' Rock Wall with Rope
- 1 - 4' x 5' Cargo Net
- 1 - 8' Bridge with Rope
- 1 - 4 x 5 Picnic Table
- 2 - Binoculars
- 1 - Avalanche Slide 14'
- 1 - 3 Position Single High Beam 10'-6"
- 2 - Belt Swing with Soft Grip Chains High Beam
- 1 - Trapeze Bar with Rings High Beam
- 1 - Jungle Bar Tower
- 1 - Steering Wheel
- 1 - Tic Tac Toe
- 1 - Megaphone
- 3 - Gable Roof
- 1 - 5 x 5 Clubhouse Decking
- 1 - 5 x 7 Clubhouse Wall with Door
- 2 - 5 x 7 Clubhouse Wall with Window
- 1 - 5 x 7 Clubhouse Wall
- 1 - 12' Ramp with Rope
- 1 - Fire Pole 5' Deck
- 1 - Hammock Swing under deck
- 1 - Turbo Twister Slide 7'
- 1 - Ship's Wheel
- 2 - 5' x 10' Canvas for Mountain Climber
- 1 - 3-Rope Plastic Tire Swing



Height: 15.9'



Notes: