

SWING KINGDOM DESIGN



Swing Kingdom

Dealer: Jim's Amish Structures

Customer:

Build Code: [SK15](#)

Vinyl Frame Color: White

Accent Color: Blue

Accessory Color: Blue

Shingle Color:

Date: 5/23/2022

Sales Order#:

Delivery Method:

SK D&I

Freight

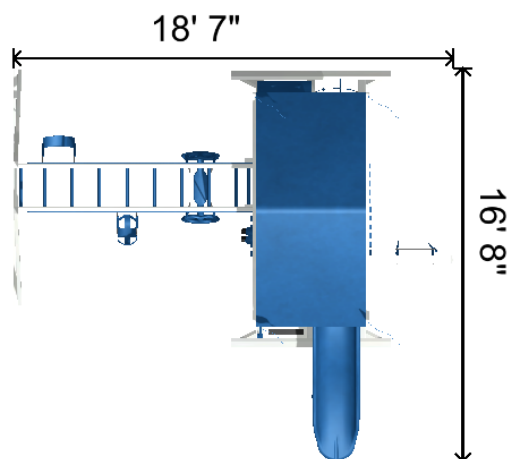
Pickup

SK Drop Off

- 1 - 5' x 5' Mountain Climber
- 1 - Avalanche Slide 10'
- 1 - MC Hand Rail
- 1 - 5' MC Ladder
- 1 - Ship's Wheel
- 1 - Rock Wall for MC Leg
- 1 - Cargo Net for MC Leg
- 1 - Binoculars
- 1 - Tower Mounting Ladder
- 1 - 3 Position Climber 10'-6"
- 1 - Dual Rider
- 1 - Rubber Infant Swing Seat w/ Chains
- 1 - Belt Swing with Soft Grip Chains
- 2 - Ground Anchor Each
- 1 - 1 Position Extension Arm MC 8'
- 1 - Trapeze Bar with Rings
- 1 - 5' x 10' Canvas for Mountain Climber
- 1 - 3-Rope Plastic Tire Swing



Height: 12.5'



Notes: