

# SWING KINGDOM DESIGN



Swing Kingdom

Dealer: Jim's Amish Structures

Customer:

Build Code: [SK30](#)

Vinyl Frame Color: Almond

Accent Color: Red

Accessory Color: Yellow

Shingle Color:

Date: 5/23/2022

Sales Order#:

Delivery Method:

SK D&I

Freight

Pickup

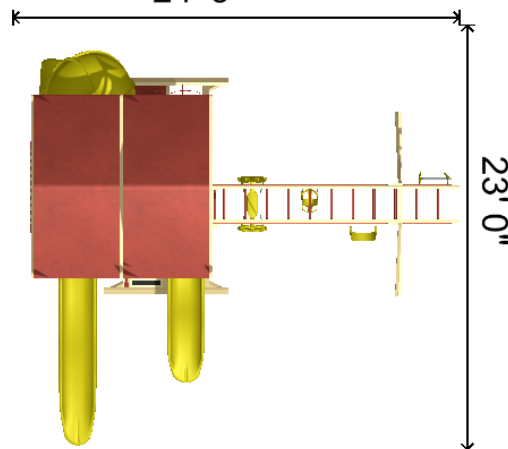
SK Drop Off

- 1 - 5' x 5' Mountain Climber
- 1 - Avalanche Slide 10'
- 1 - MC Hand Rail
- 1 - 5' MC Ladder
- 1 - Tower Mounting Ladder
- 1 - 4 Position Climber 14'
- 1 - Dual Rider
- 1 - Rubber Infant Swing Seat w/ Chains
- 1 - Belt Swing with Soft Grip Chains
- 1 - Trapeze Bar with Rings
- 2 - Ground Anchor Each
- 1 - Rock Wall for MC Leg
- 1 - Cargo Net for MC Leg
- 1 - Tower Mega 7' Deck for MC
- 1 - Steering Wheel
- 1 - Hammock Swing under deck
- 1 - Telescope
- 1 - Turbo Twister Slide 7'
- 1 - Megaphone
- 1 - Avalanche Slide 14'
- 2 - 5' x 10' Canvas for Mountain Climber
- 1 - 3-Rope Plastic Tire Swing



Height: 14.5'

24' 3"



Notes: